

# SLIM

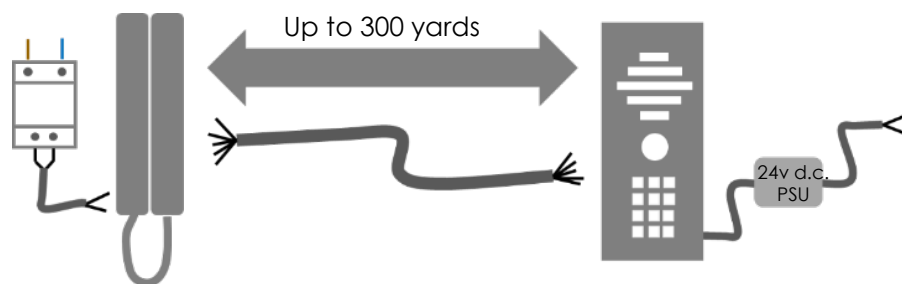
## Wired Intercom System

- Wired audio intercom system.
- Up to 4 handsets per system.
- Curved profile stylish handset available in black or white.
- 150m typical cabled range using twisted pair cables.
- 24V dc 2A power supply included. (Handsets 12v dc)



Indoor Speech Unit

Outdoor Speech Unit



### Technical Details

<b>Power</b>	24v dc (24c dc 2A included)
<b>Working Distance</b>	150m on 24AWG CAT5 cable
<b>Weather Rating</b>	IP55
<b>Wiring</b>	3 Wire or 5 wire option
<b>Max Handsets</b>	4
<b>Relay Type</b>	N/O momentary 4 second pulse



**SLIM-CL-PB-US (Non-keypad panel with CORDED handset)**



**SLIM-CL-PBK-US (keypad panel with CORDED handset)**



**SLIM-HF-PB-US (Non-keypad panel with wall mounted HANDSFREE handset)**



**SLIM-HF-PBK-US (keypad panel with wall mounted HANDSFREE handset)**



All black pedestal mountable, high volume call points, constructed from marine grade stainless steel, powder coated aluminium hood and gloss toughened acrylic faceplate. Panel options with keypad & non-keypad. Keypad panel includes 3 relays, 1200 codes with latching and momentary operation and more. Kit includes speech panel, **BLACK** handset, power supply and manual.

Architectural panels

**SLIM-CL-AB-US (Non-keypad panel with CORDED handset)**



**SLIM-CL-ABK-US (Keypad panel with CORDED handset)**



**SLIM-HF-AB-US (Non-keypad panel with wall mounted HANDSFREE handset)**



**SLIM-HF-ABK-US (Keypad panel with wall mounted HANDSFREE handset)**

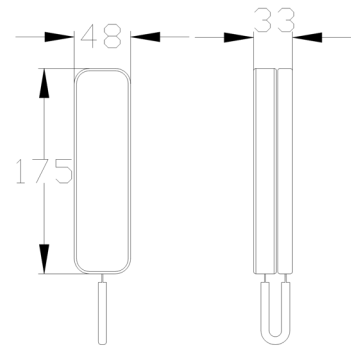


Stylish, modern curved profile call point with blue backlighting effect and illuminated keypad. Constructed from 100% marine grade stainless steel and toughened black gloss acrylic faceplate. Panels options with keypad & non-keypad. Keypad panel includes 3 relays with latching and momentary operation and many more features. Kit includes speech panel, **black** handset, power supply and manual.



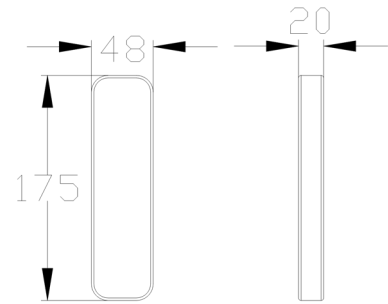


Handset



**SLIM-CL-EH-B**

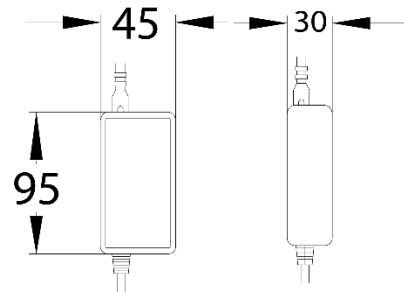
- Black corded handset.
- Add up to 3 extra handsets to any kit (total 4 per system) for larger homes or premises.



**SLIM-HF-EH-B**

- Black Handsfree handset\*
- Add up to 3 extra handsets to any kit (total 4 per system) for larger homes or premises.

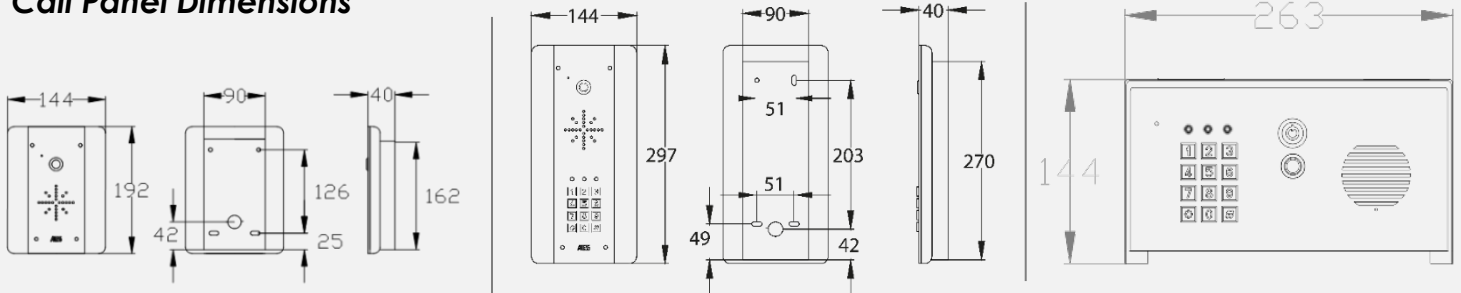
\*HF handset is subject to availability.



**PSU-12V-US**

Additional 12V, 1 amp power supply for longer cable runs, especially required when call point has a keypad and the original PSU is located in the house or where there are multiple handsets.

**Call Panel Dimensions**



**AB PANEL**

**AB-KP PANEL**

**PED PANEL**

